

240 VAC 14x12x7 Inch Weatherproof Enclosure with Mounting Plate and Heater Model: NB141207-2H0

Applications and Features

Features:

- Molded Fiberglass Reinforced Polyester (FRP) industrial Enclosure
- Stainless steel quick release latches with padlock hasps
- NEMA Type 4, 4X / IP66 rated
- Fully gasketed raised lid & integral mounting flange
- Features aluminum mounting plate with AC socket cutouts, 240 VAC terminal strip & Thermostat Controlled Heating System

Applications:

- Remote Wireless LAN WiFi equipment installations
- Indoor and outdoor installations
- Rapid Deployment Installations
- Corrosive environments & hotspot applications
- Protection of equipment from theft or damage



Product Description

Start with the Box... The NB141207-2H0 is designed to protect sensitive equipment from the elements and supply it with proper airflow. The unit features a thermostat controlled 200W heating system, along with provisions for connecting AC power, data or RF cables to the enclosure. Additional holes can be added to the enclosure for custom orders.

The enclosure is a rugged weatherproof design that is ideal for both indoor and outdoor applications. Constructed from molded fiberglass reinforced polyester, it is well suited for cold temperature or corrosive environments. The mounting flange allows it to be wall mounted as well as on a flat surface. The raised lid features a stainless steel continuous hinge and stainless steel quick release latches with padlock hasps. The raised lid is fully gasketed. The enclosure material is UV stabilized and comes in machine tool gray.

Mounting Plate... The aluminum mounting plate has provisions to mount WLAN equipment from Cisco®, Symbol®, D-Link®, HyperLink and more. With the optional HGX-AMOUNT02 bracket a wide array of HyperLink Power-Over-Ethernet products and Power Supplies can be mounted as well. Two of these brackets can be mounted side by side. Also available is the HGX-NMOUNT03 Universal Mounting Shelf that can be attached to the mounting plate and can accommodate additional equipment to be placed in the enclosure.

Cold Environments... The NB141207-2H0 includes a thermostat-controlled 200W heating system. The heater turns on when the internal temperature drops to 40° F (4° C) ±7° and turns off at 60° F (15° C) ±5°. No extra room for the heater is required since it is mounted underneath the plate.

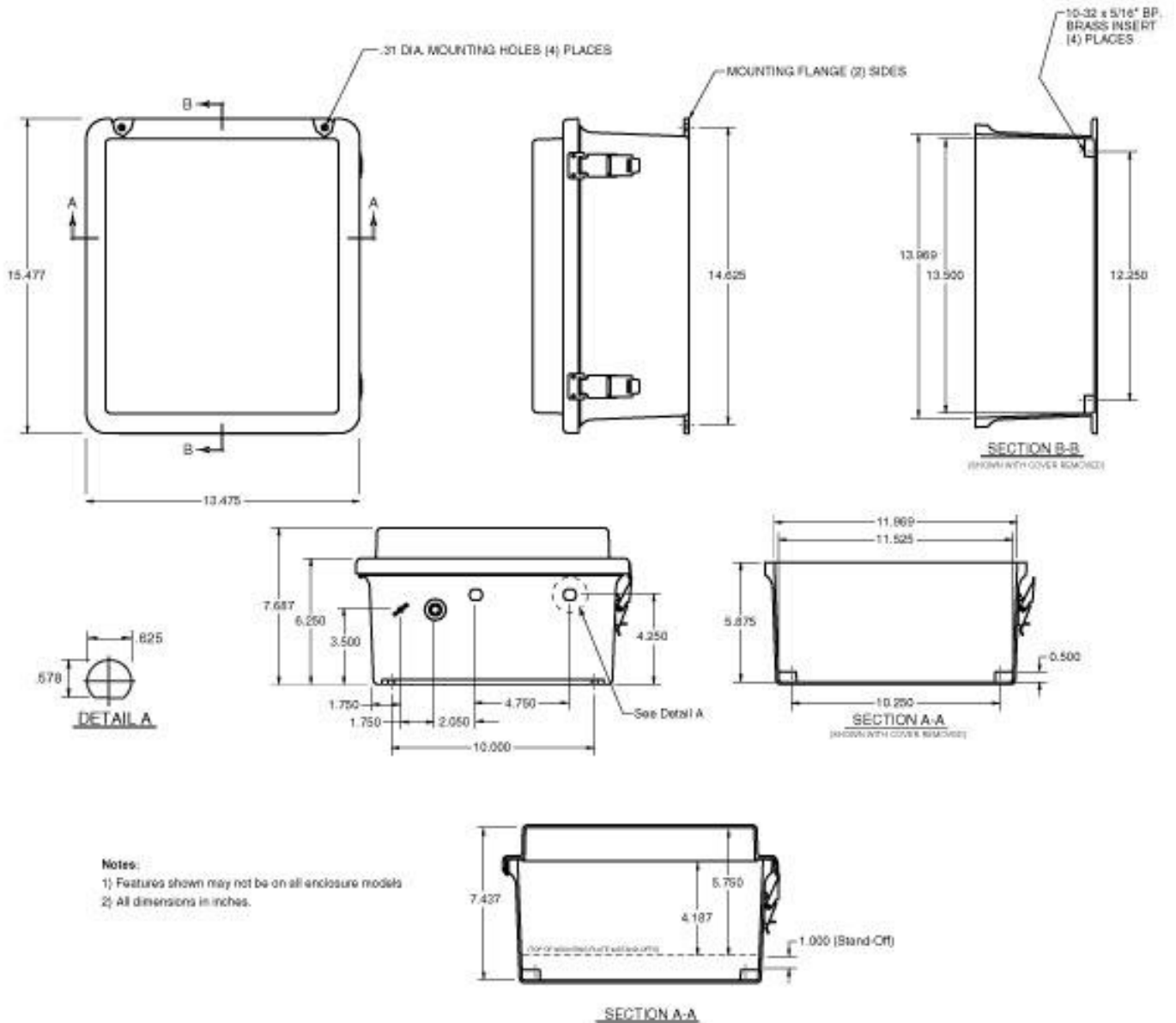
Lightning Protection... The unit can accept up to two optional bulkhead-mount N-Type lightning protectors to protect the coaxial cable runs. Additional N-Type lightning protectors can be added on custom orders. Mounted to the optional HGX-AMOUNT02 bracket, the HGLN-CAT5 lightning protector can be used with Power-over-Ethernet applications.

Specifications

Enclosure Material	Fiberglass Reinforced Polyester
Enclosure Color	Machine Tool Gray
Voltage	240 VAC
Heater Power	200 Watts
Weight	10.8 lbs (4.9 kg)
Mounting Plate Material	.10" (2.5mm) Thick Anodized Aluminum
Mounting Plate Dimensions	12.7 x 10.8 inches (32.2 x 27.4 cm)
Outside Dimensions (max)	15.5 x 13.5 x 7.7 inches (39.3 x 34.2 x 19.5 cm)
Inside Dimensions	13.5 x 11.5 x 5.8 inches (34.3 x 29.2 x 14.7 cm)
Flame Rating	UL 94-5V
RoHS Compliant	Yes
Cable Feed	1/2" Cable Conduit Connector
Ratings*	NEMA Type 4, 4X / IP66

*Note: Enclosure ports (Cable conduit connector and N-type holes for lightning protectors or connectors) must be properly sealed to maintain NEMA Type 4, 4X / IP66 rating.

Enclosure Dimensions



- Notes:**
- 1) Features shown may not be on all enclosure models
 - 2) All dimensions in inches.

Mounting Plate Details

